

Lifestyle SCREENS

THE MOST VERSATILE GARAGE SCREEN ON THE PLANET

Instructions for Building a Wood Display Booth

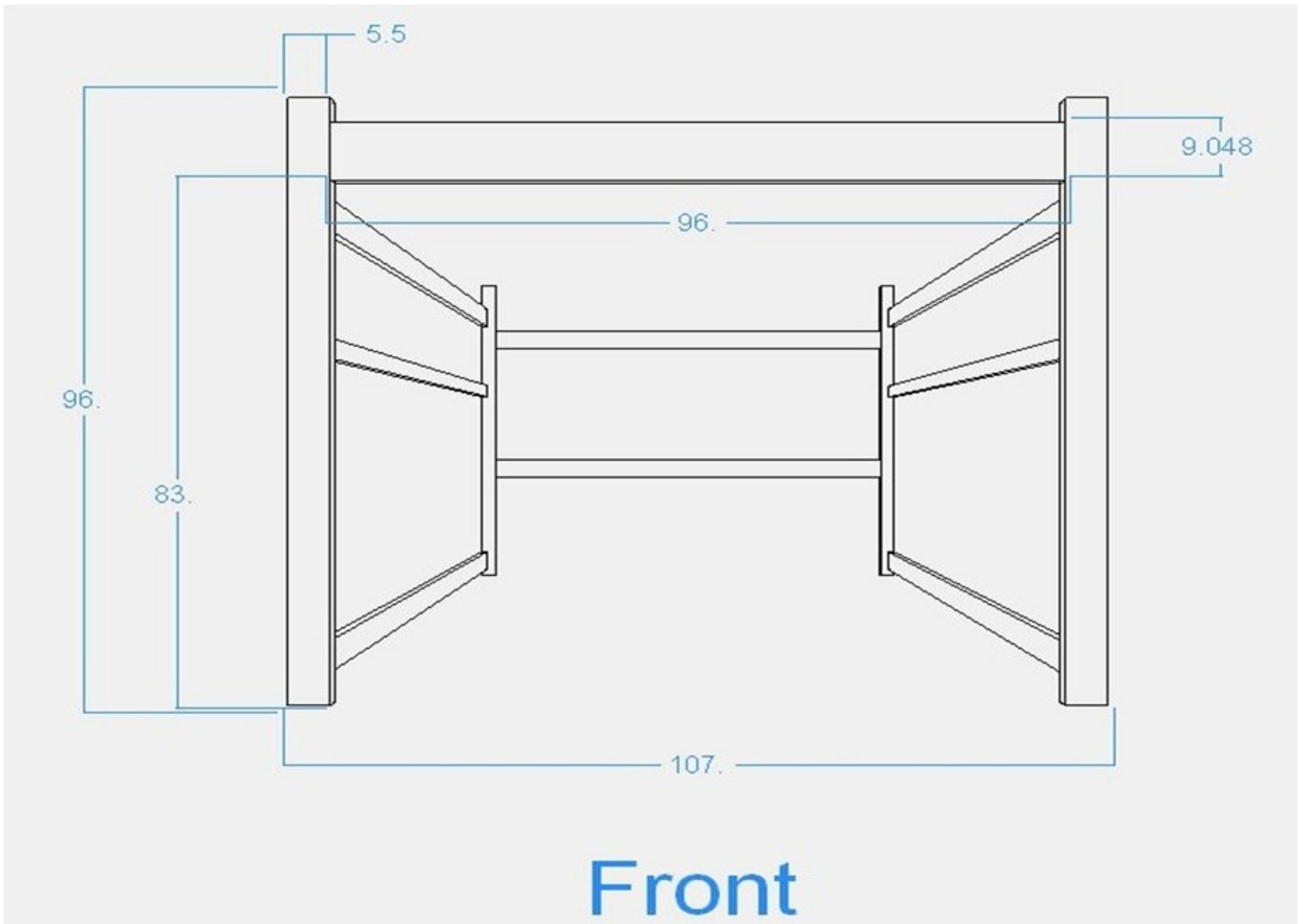
Material List:

Spruce Lumber: (6) 2x6x8', (2) 2x6x10', (4) 2x4x8', (1) 2x10x8'

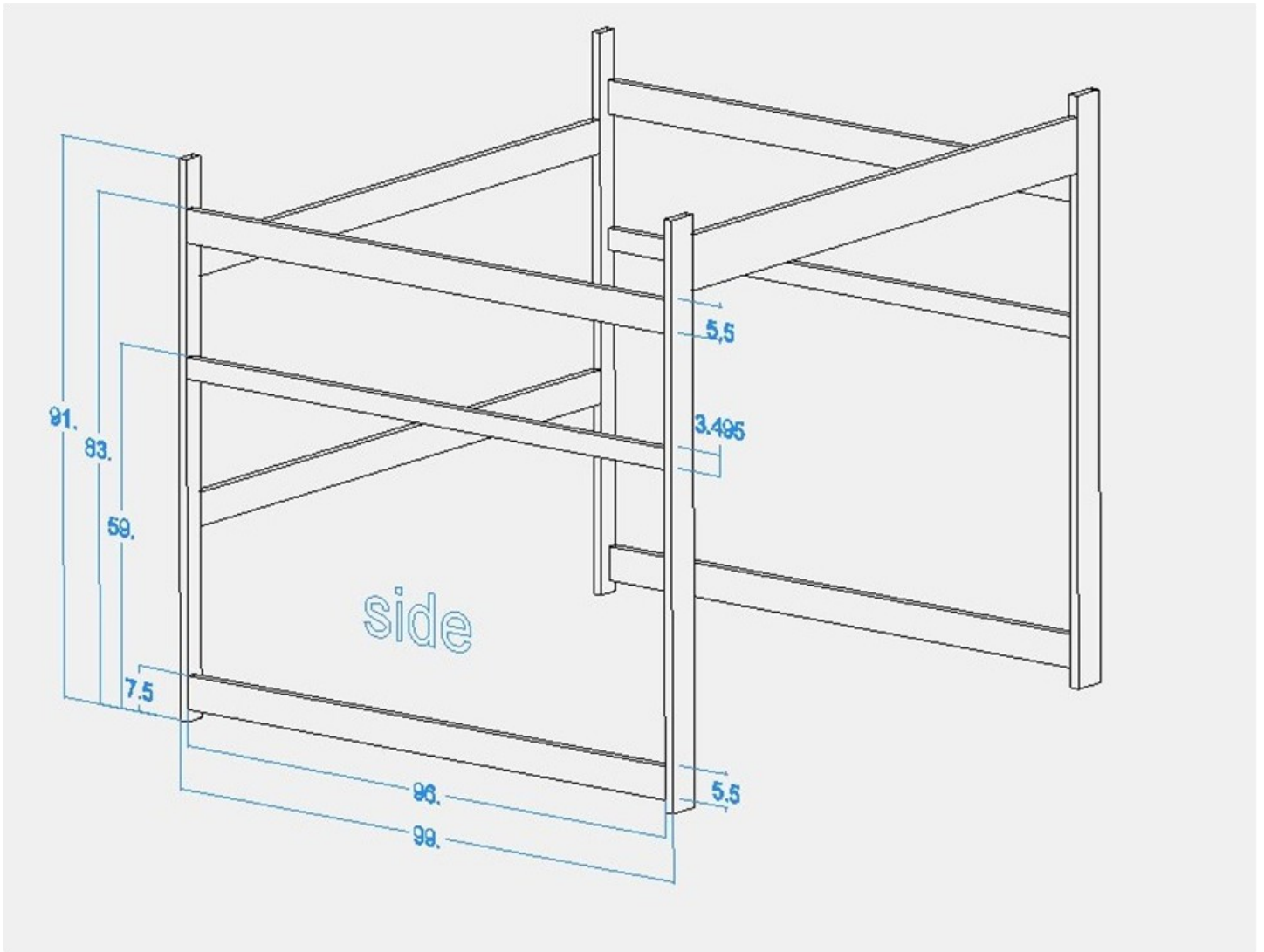
Hardware: (8) 6" Deckmate lags, (4) 12" Deckmate lags, (24) 4" screws

Garage Door Seal: (2) 7' sticks, (1) 8' stick

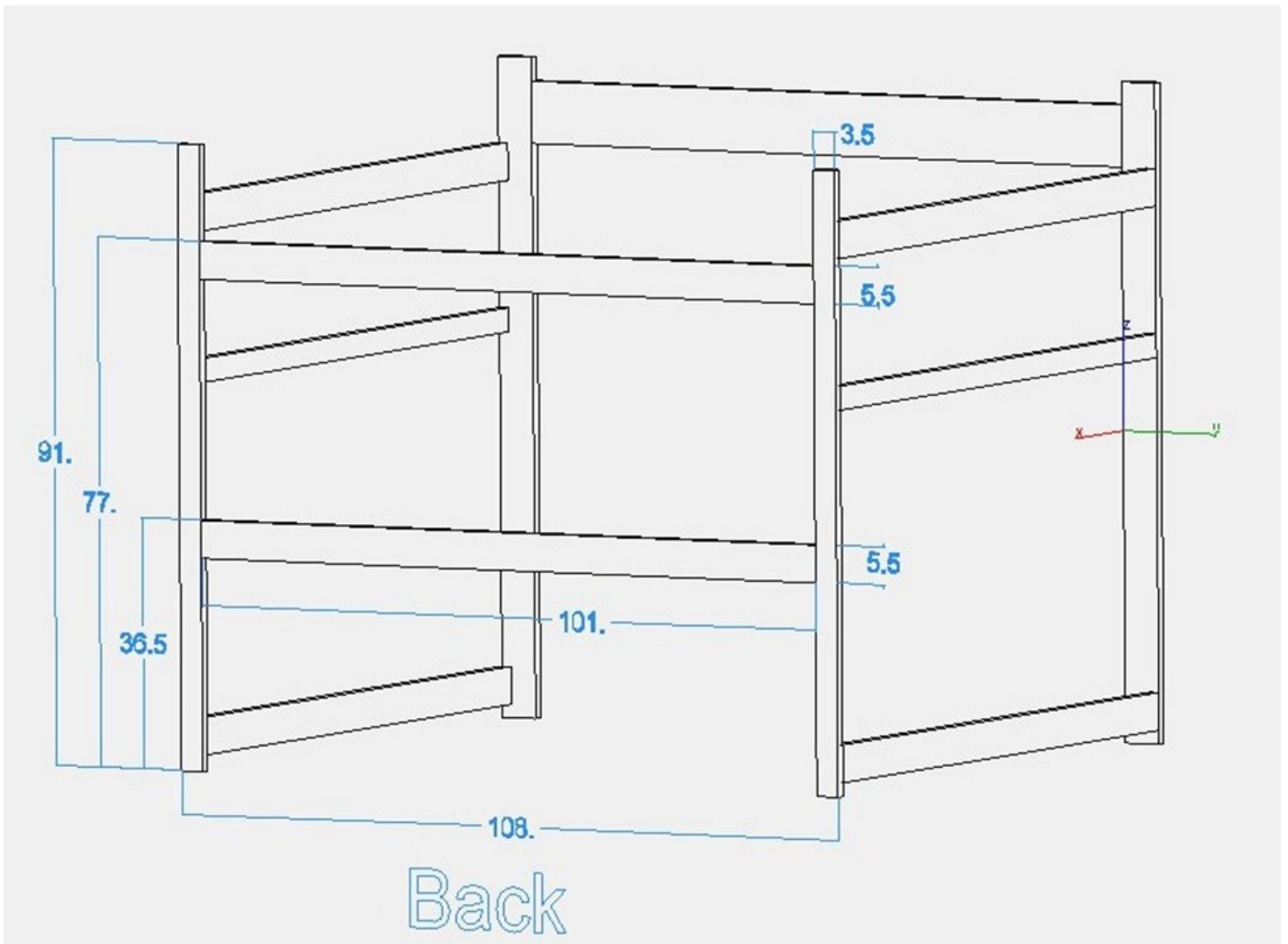




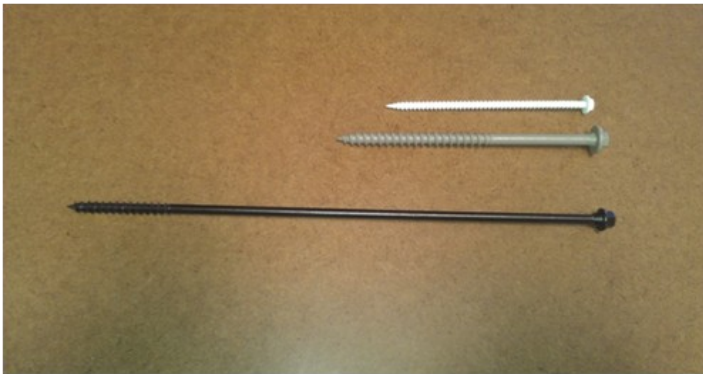
Fasten the front beam with 12" Deckmate lags



Fasten with 4" screws



Fasten with 6" Deckmate lags



If you have any questions when constructing your booth, please call Brian Hughes at 678-926-9700.